

spinder

DAIRY HOUSING CONCEPTS

Cow traffic



december 2020

Product
catalogue

The benefits of comfort



Spinder since 1973

Tjip Spinder started manufacturing and selling dividers and feed fronts in 1973, using the name Spinder Stalinrichting. What started as a metal workshop, quickly became a small factory and eventually grew into Spinder as we know it today: a leading, advanced manufacturing company with a modern range for contemporary dairy farms.

Tjip Spinder was a real all-rounder and expected the same from his employees. "You were given an overall and a task and that was it", says Dick van der Meer, employee since the start and now co-foreman in the assembly department. With the ink barely dry on his technical school diploma, he went to see Tjip Spinder in 1973 to ask if there was work for him and was told he could start immediately. "Tjip set high standards. Not just for commitment and quality, but also for behaviour. But he didn't go easy on himself either. He was the first to arrive at work at six in the morning and he would only go home late at night when his wife decided that enough was enough and came to fetch him. They lived next door to the workshop."

Spinder has always responded to developments in dairy farming. As livestock increased, so did manufacturing and the range changed along with the requirements and insights of farmers. Especially in the 70s and 80s of the last century, the period that farmers opted for cubicle systems en masse, Spinder experienced considerable growth.

Spinder's growth during the early years was mostly thanks to two good friends of Tjip, who both owned a construction company. They were barn builders and introduced Spinder when the barns they built also needed equipment. When son Pieter took the

reins, he made some changes and implemented innovations. This caused a large improvement in efficiency. It was no longer expected that everyone could do 'everything': the work was divided over various departments. After Pieter, who went to Canada to run a farm, Spinder ceased to be a family-run company in 1995 and was taken over by management. The company is still owned by the board.

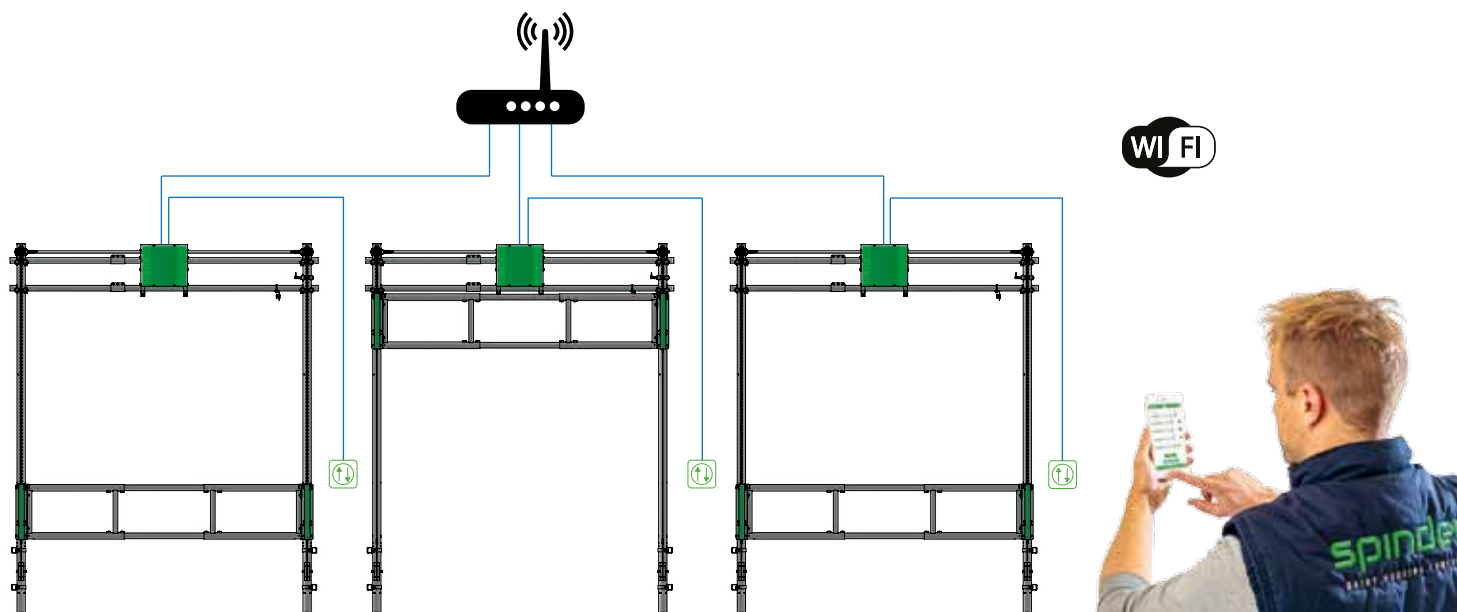
Production manager Sjouke van der Meer joined Spinder in 1981. Like Dick van der Meer, he has seen many changes within the company: "Highlights, growth, less successful periods, changes to management, product innovation, you name it. But one thing has remained unchanged and that's the commitment of all colleagues to Spinder. Although Spinder hasn't been a family-run business since 1995, it still feels like family here. And just like in 1973, the bar is still set high. Everything that leaves these premises is of absolute top quality. We are proud of that and that's what we work for, together."

In 2017 Spinder acquired the BUC brand, specialist in dual waterbeds.

As market dynamics are demanding Spinder has had a new premises build, fully in operation from 2020.

Cow traffic

- Automated draw gates 4.1
- Draw gates 4.3
- Barrier gates 4.4
- Telescopic gates 4.5
- Texas gate one-way gate 4.8
- Pasture gate one-way gate 4.9
- Topgate one-way gate 4.10
- Partition barriers 4.11
- Partition barriers accessories and fittings 4.12



Autolift

Many of the processes in dairy husbandry have already been automated. This is however not the case for cow traffic management. The farmer still has to open and close the gates himself. Autolift automatically moves several cow traffic gates into certain positions to determine the desired route for a chosen group of animals. This system is controlled via an app, which knows all the configurations for cow traffic on your farm.

So what is new?

Automatic gates that are operated separately already exist. Autolift adds configurations for cow traffic that can be used to control all the gates involved as part of the cow traffic system.

To start with, all desired cow traffic configurations are programmed into the Autolift app, determining open and closed positions for all these gates. This system enables you to select a configuration with the app on your smartphone. All the gates concerned will now be in the desired position and cow traffic can be set in motion. If the farmer then chooses a different configuration, the gates will automatically facilitate another cow route.

The system is easy to use and saves labour and time. The physical labour of moving gates is now replaced by pressing a button on your smartphone. This has changed cow traffic from a purely operational task to simple and easy management.

The gates

The gates of the Autolift system are robustly constructed draw-up gates which move up and down automatically. Draw-up gates are the least susceptible to being blocked by animals. When the gate goes up, the animals in the neighbourhood will back away, and when the gates come down, the animals that happen to be below the gate will sense this and get out of the way. The materials used are robust and strong and able to withstand the force the animals exert on them for many years.

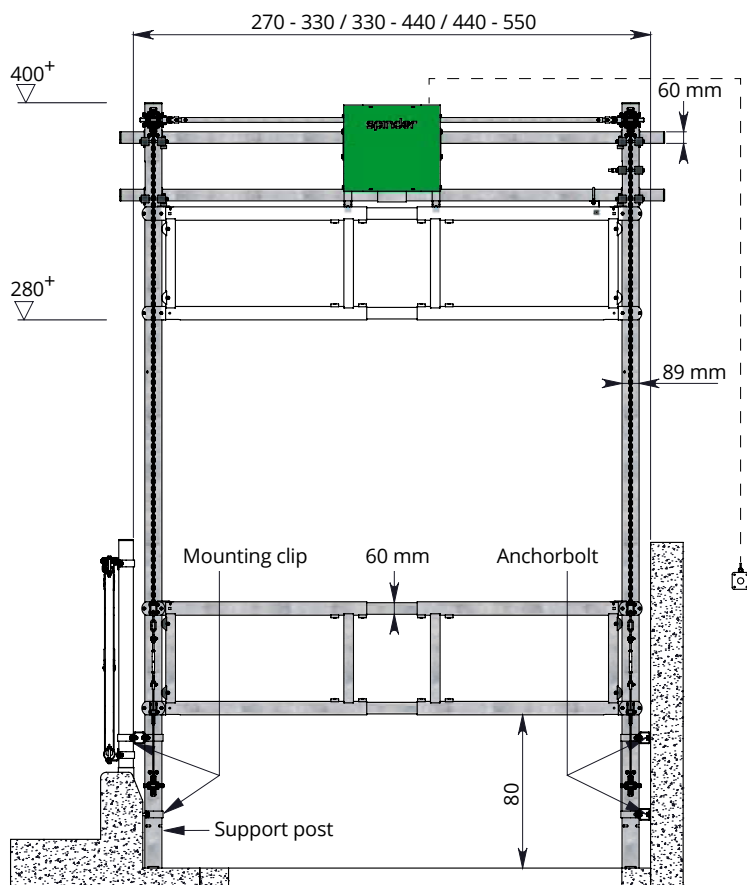
When the gate is open, its position is easily high enough for a tractor to pass under it. Thanks to the app's remote control function, the tractor driver can simply remain seated in his cab. A gate can be open so high that it can be difficult to lower a gate manually, but with the remote control it doesn't take any effort at all.

Where should the system be used?

The larger the farm, the more relevant and time-consuming the walking distances are. This can result in (expensive) milking equipment standing idle, which of course costs money. Autolift increases productivity! Because less physical effort is required, the work also becomes more pleasant. That is why the Autolift has earned a place on all livestock farms, large and small.

Safety and error handling

Each gate is equipped with a number of buttons that allow the system to be bypassed and the gates to be operated where they are. Motors can be easily disconnected and gates can be operated manually. A safety setting limits the traction capacity of the motors.



Autolift - stand alone

Robust electrically operated gate with push button operation.

The details:

- Support posts 89 mm;
- Partition barrier, beams 60 mm;
- Electric drive, mounted at the top;
- Counterweights fitted in the uprights;
- Required installation height at least 400 cm;
- When the gate is 'open' in its highest position, vertical clearance is 280 cm;
- Vertical clearance (for manure robot) when the gate is 'closed' is 80 cm.

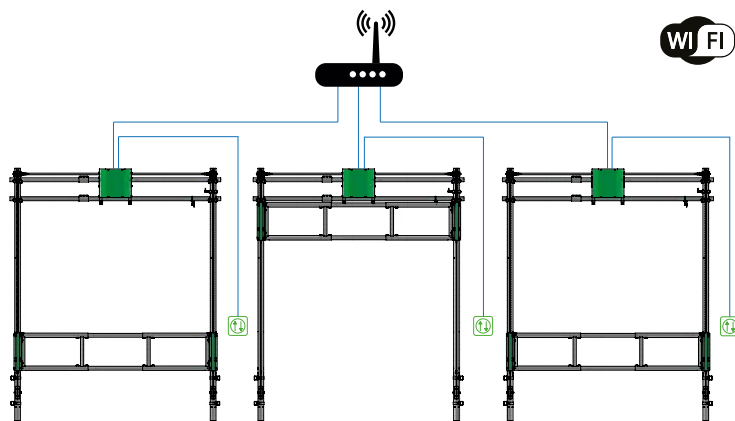
The technology:

- Drive; 0.37 kW reduction worm gearbox;
- Reduction worm gearbox, control box, push button, limit switches and main switch completely pre-assembled;
- Each Autolift requires a 220V supply. Connect to the main switch.

- 31.24.230** Autolift, suitable for widths from 270 to 330 cm
31.24.240 Autolift, suitable for widths from 330 to 440 cm
31.24.250 Autolift, suitable for widths from 440 to 550 cm

Accessories

- 11.11.240** Anchor bolt M12 x 106 mm (4 per support post for mounting to a concrete wall, 2 per support post for mounting to base plate)
04.18.025 Bow bracket 76 mm (for mounting post to support post 76 mm)
04.18.080 Bow bracket ∇ 80 (for mounting post to support post ∇ 80)
71.10.030 Tap bolt M10x30
82.10.500 Self-locking nut M10



The details:

- A5 version. Control box suitable for 1 - 5 Autolift gates;
- Extension module for max. 5 Autolift gates;
- One further extension module can be added in the A5 version. This means that up to 10 Autolift gates can be operated;
- B15 version. Control box suitable for 1 - 15 Autolift gates;
- A further 2 extension modules can be added in the B15 version. This means that up to 25 Autolift gates can be operated.

The technology:

- The control box for the A5 or B15 requires a 220V supply;
- Each individual Autolift control box must be connected to the A5 or B15 control box with a shielded 8-core cable;
- The A5 or B15 control box creates its own Wi-Fi control network in the barn;
- The Autolift app can be used with Android and IOS, i.e. on most smartphones;
- The A5 or B15 control box can be programmed while the smartphone is within range of the Wi-Fi control network in the barn. The Autolift gates can be operated individually or in groups.

App - operation

The Autolift app enables the gates to be included in a group circuit, which results in simultaneous movement. The user can create the groups and define the cattle's movement himself. It is also possible to have the gates operate at specified times.

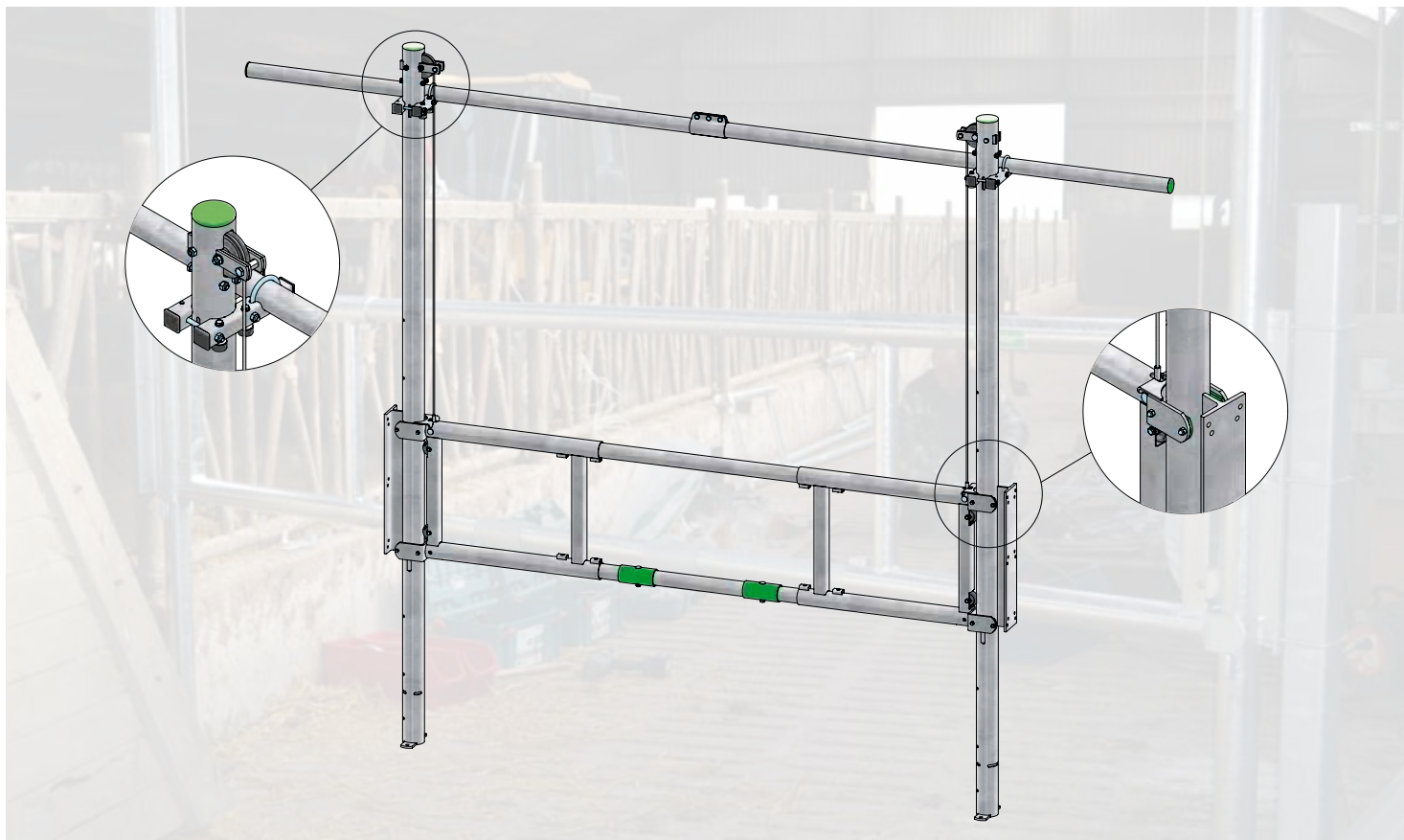
Please note:

- Not included: various cables (electrical connection for each gate, connection between the gates and the control box);
- Also not included: smartphone. The smartphone that is to be used must have a standard version of Android or IOS.

- 31.24.010** Control box A5 (for 1 - 5 Autolift gates)
31.24.020 Control box B15 (for 1 - 15 Autolift gates)
31.24.030 Extension module for max. 5 Autolift gates

Accessories

- 61.06.073** Shielded 8-core cable (LiYCY-p 4x2x0.5mm2)



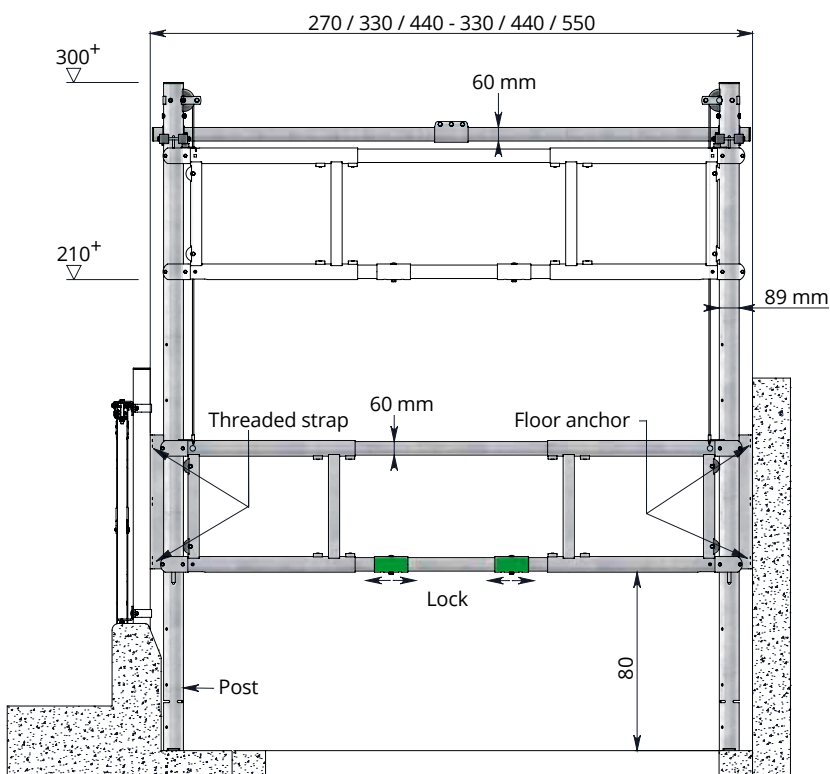
Draw gate - heavy duty: Lift

The heavy duty draw gate is of a very robust construction, suitable for passages from 270 cm to as much as 550 cm wide. Light and quick to move because of the practical locking mechanism and the counterweight hidden in the support posts. The minimum required building height for this fence is 300 cm. The 'open' position gives 210 cm of free space below the fence. Heavy duty draw gates **with a larger free passage** are available on request. The overall length of the draw gate is adjustable between the indicated dimensions.

For a stable and durable arrangement, the support posts of the draw gate are to be mounted to a concrete wall or to columns of the building construction. If this is impossible, extra 76 mm or \square 80 support posts should be ordered and installed. In addition, we recommend that the 60 mm connection tube of the draw-up gate is connected to the building construction.

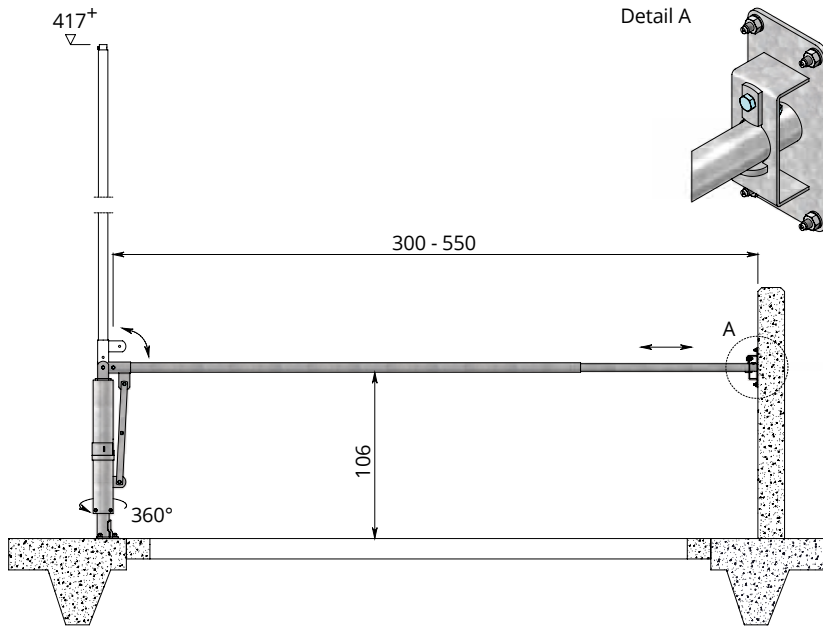
Specification:

- Support posts 89 mm;
- Partition barrier, beams 60 mm;
- Side guide with plastic rollers and guide strips;
- Fitted with buffer blocks at the limiters' upper position;
- Locking technology bottom position (closed position) completely concealed in the lower beam.

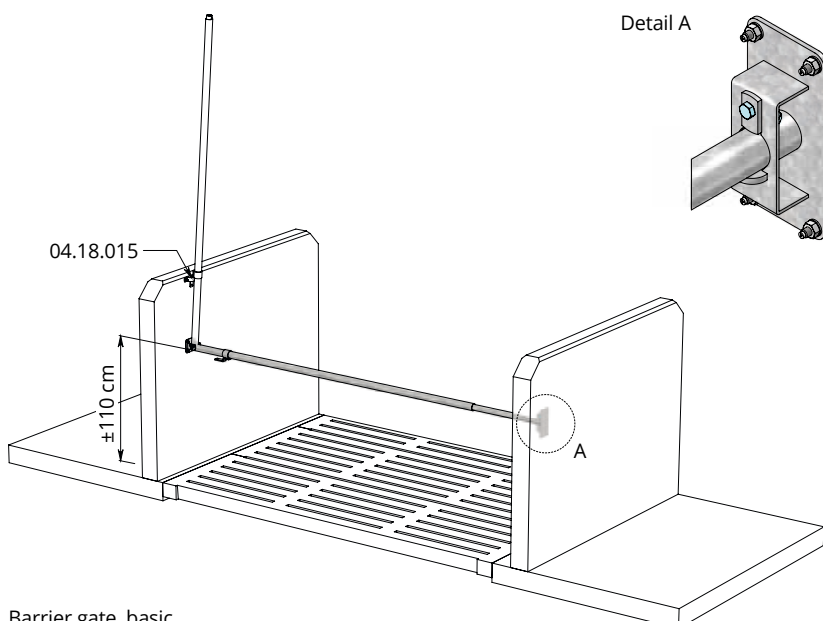


03.24.600	Total length 270-330 cm
03.24.700	330-440 cm
03.24.800	440-550 cm

04.57.250	Fittings Threaded strap 76 x 105 mm (3 pcs. per post)
04.80.110	Threaded strap \square 80 x 110 mm (3 pcs. per post)
11.11.240	Floor M12 x 106 mm (3 pcs. per post for mounting to a concrete wall, 2 pcs. per post for floor mounting)



Barrier gate, spring loaded



Barrier gate, basic

Barrier gate, spring loaded

To close quickly and simple large crossovers, for example feeding passages. The barrier gate can rotate 360° around the included floor mounted support post (76 mm x 100 cm). Included also a locking point which can be mounted to the wall or on a support post 76 mm. In combination with several locking points it is easy to move the animals in different directions.

03.23.300 300-550 cm

Fittings

- 03.21.005** Additional locking point
- 04.57.250** Threaded strap 76 x 105 mm (2 per locking point)
- 10.26.130** Floor-mounted support post 76 mm x 130 cm

Barrier gate, basic

To close quickly (smaller) crossovers during movement of groups of cows. Standard hinge point and a locking point is included for mounting to a wall or on a support post 76 mm.

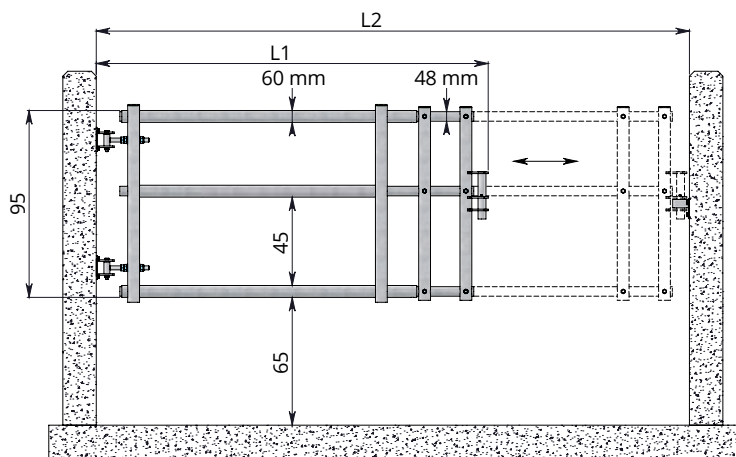
03.21.200 200-400 cm

Fittings for mounting to support post

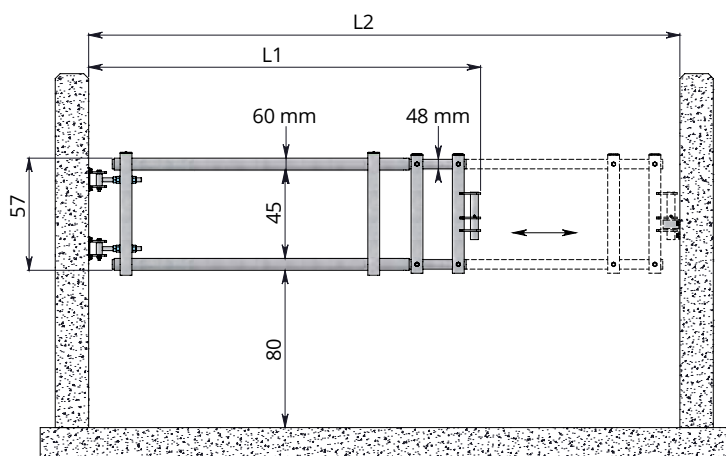
- 10.26.160** Floor-mounted support post 76 mm x 160 cm
- 04.57.250** Threaded strap 76 x 105 mm (4 per barrier gate)

Fittings for mounting to wall

- 04.18.015** Mounting clip 48 mm
- 11.11.210** Floor anchor M10 x 71 mm (10 per barrier gate)



Telescopic gate with 3 horizontal bars



Telescopic gate with 2 horizontal bars

Telescopic cow traffic gate with 3 horizontal bars

Ideal for making crossings over the feeding passage, closing waiting areas, or as intermediate barriers in spacious straw-bedded pens. The optional anti-puncture support wheel (wheelbarrow wheel) runs smoothly, both on a flat concrete floor and on slatted floors. You cannot use a castor wheel in straw-bedded pens or if fixed manure scrapers have been installed. Fit an angle brace instead.

With 45 cm of free space between both lower horizontal bars there is enough width to allow you step quickly through the gate.

Telescopic cow traffic gate with 2 horizontal bars

Enough clearance (80 cm) under the gate for a manure robot passing through. With a gate height of 57 cm, you can even install it over a drinking water reservoir.

Technical data:

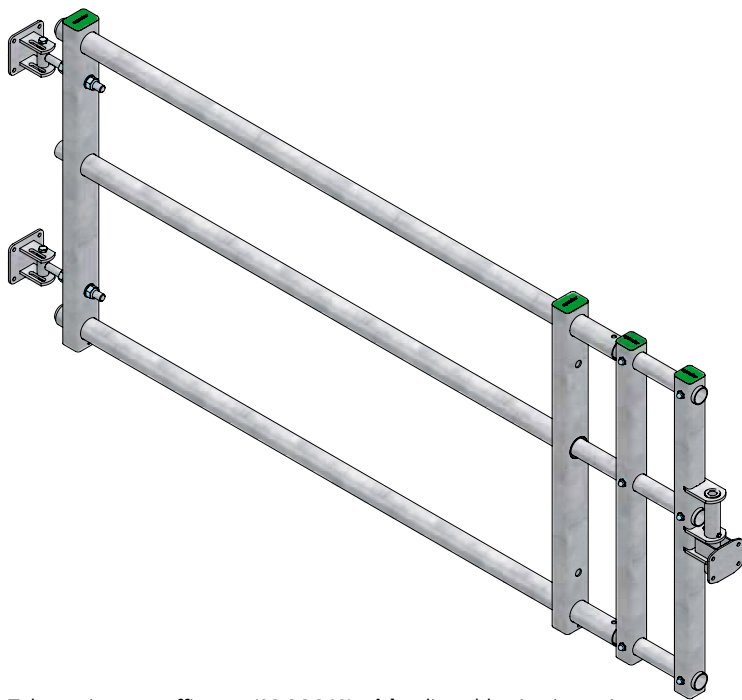
- Welded fixed frame, made of 60 mm horizontal bars and vertical tubes 80 x 60 x 4 mm.
- Bolted extension frame, made of 48 mm horizontal bars and 2 vertical tubes 60 x 60 x 4 mm of which one tube is fitted with the unique Spinder universal locking point. The locking point is suitable for mounting to a wall/post/support post/column.
- Heavy-duty adjustable pivoting points M20 to the fixed frame. The pivoting points are suitable for mounting to a wall/post/support post/column.
- Exclusive of anchor bolts, threaded straps, bolts and nuts, etc. for mounting to wall/support post/post/column. These must be ordered separately with the order. The most common fastening materials are listed under accessories.
- **The telescopic gate with a range of 400-600 cm (03.26.360) must be fitted with a castor wheel (02.90.990) or an angle brace set (03.91.300). The shorter telescopic gates can be fitted with these accessories for extra stability and/or ease of working.**

Type		height	shortest L1	longest L2	reach
03.26.360	3-bar	95 cm	400 cm	600 cm	200 cm
03.26.350	3-bar	95 cm	300 cm	500 cm	200 cm
03.26.340	3-bar	95 cm	250 cm	400 cm	150 cm
03.26.330	3-bar	95 cm	200 cm	300 cm	100 cm
03.26.320	3-bar	95 cm	135 cm	200 cm	65 cm
03.26.310	3-bar	95 cm	95 cm	135 cm	40 cm
03.26.250	2-bar	57 cm	300 cm	500 cm	200 cm
03.26.240	2-bar	57 cm	250 cm	400 cm	150 cm
03.26.230	2-bar	57 cm	200 cm	300 cm	100 cm
03.26.220	2-bar	57 cm	135 cm	200 cm	65 cm
03.26.210	2-bar	57 cm	95 cm	135 cm	40 cm

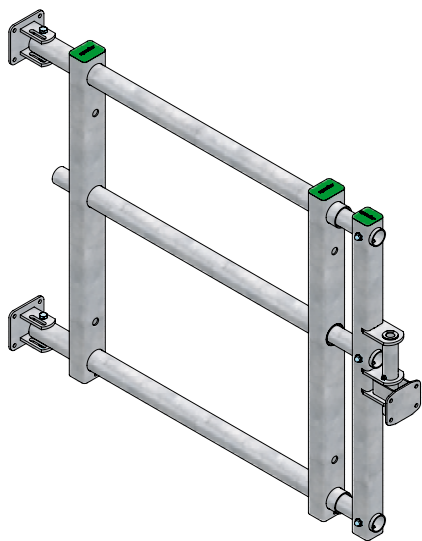
Total length

- 03.26.360** Slider 3 bar telescopic gates 400-600 cm
- 03.26.350** Slider 3 bar telescopic gates 300-500 cm
- 03.26.340** Slider 3 bar telescopic gates 250-400 cm
- 03.26.330** Slider 3 bar telescopic gates 200-300 cm
- 03.26.320** Slider 3 bar telescopic gates 135-200 cm*
- 03.26.310** Slider 3 bar telescopic gates 95-135 cm*
- 03.26.250** Slider 2 bar telescopic gates 300-500 cm
- 03.26.240** Slider 2 bar telescopic gates 250-400 cm
- 03.26.230** Slider 2 bar telescopic gates 200-300 cm
- 03.26.220** Slider 2 bar telescopic gates 135-200 cm*
- 03.26.210** Slider 2 bar telescopic gates 95-135 cm*

* The short Slider telescopic partition barrier are supplied without adjustable pivot point



Telescopic cow traffic gate (03.26.340) **with** adjustable pivoting point

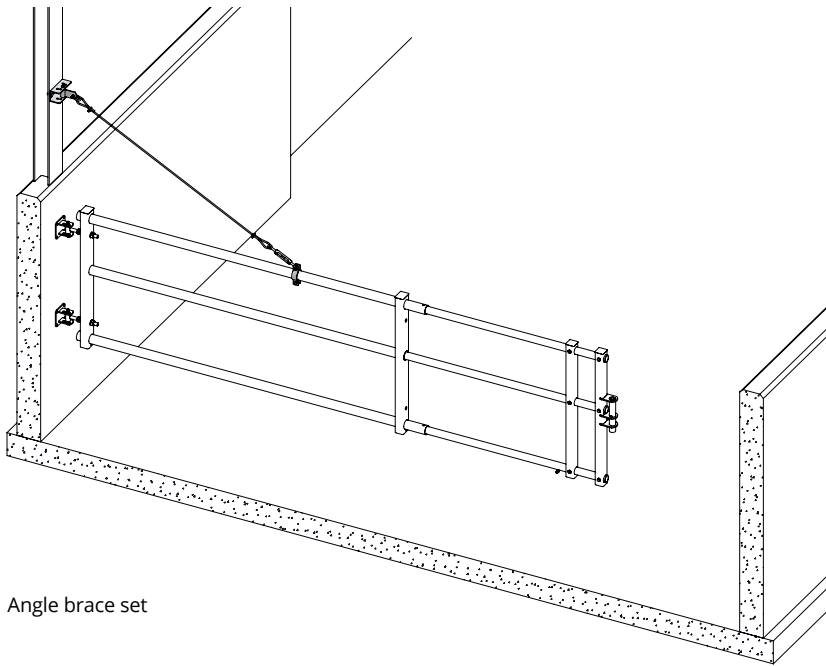


Telescopic cow traffic gate (03.26.320) **without** adjustable pivoting point

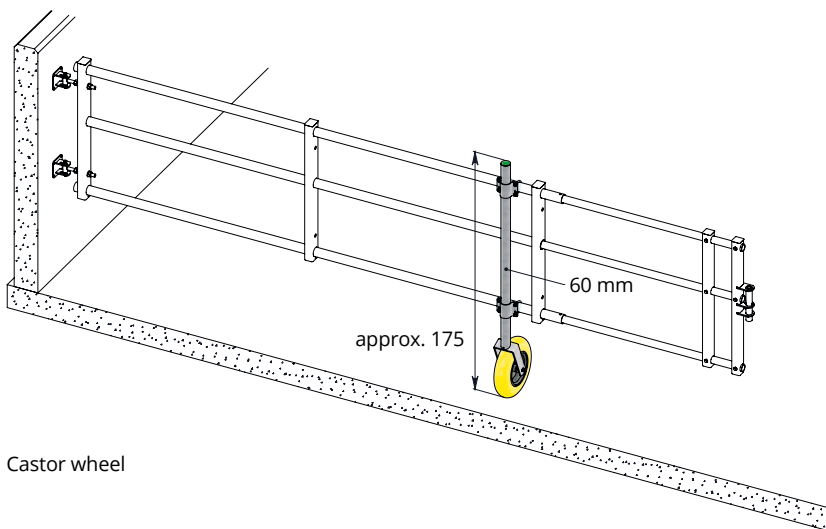
- Accessories for telescopic partition barriers**
- 03.26.050** Adjustable pivoting point
 - 02.90.990** Castor wheel for partition barrier
 - 03.91.300** Angle brace set
- Accessories for adjustable pivoting point**
- 04.80.110** Threaded strap vk80 x 110 mm (6 pc) for mounting to support post 78
 - 04.57.250** Threaded strap 76 mm x 105 mm (6 pc) for mounting to support post 76 mm
- Accessories for angle brace set**
- 11.11.220** Anchor bolt M10 x 86 mm (2 pc) for mounting to concrete walls
 - 71.10.040** Hexagonal tap bolt M10 x 40 (2 pc) for mounting to HE or I posts
 - 82.10.500** Self-locking nylon nut M10 (2 pc), to go with hexagonal tap bolt M10 x 40

* The telescopic partition barrier with a range of 400-600 cm (03.26.360) must be fitted with a castor wheel (02.90.990) or an angle brace set (03.91.300). The shorter telescopic partition barriers can be fitted with these accessories for extra stability and/or ease of working.

Type of barrier		Adjustable pivoting point	Castor wheel or angle brace set	
03.26.360	Slider with 3 bars 400-600 cm*	Standard	Option*	Option*
03.26.350	Slider with 3 bars 300-500 cm	Standard	Option	Option
03.26.340	Slider with 3 bars 250-400 cm	Standard	Option	Option
03.26.330	Slider with 3 bars 200-300 cm	Standard	-	-
03.26.320	Slider with 3 bars 135-200 cm	Option	-	-
03.26.310	Slider with 3 bars 95-135 cm	Option	-	-
03.26.250	Slider with 2 bars 300-500 cm	Standard	Option	Option
03.26.240	Slider with 2 bars 250-400 cm	Standard	Option	Option
03.26.230	Slider with 2 bars 200-300 cm	Standard	-	-
03.26.220	Slider with 2 bars 135-200 cm	Option	-	-
03.26.210	Slider with 2 bars 95-135 cm	Option	-	-



Angle brace set



Castor wheel



• Telescopic gate. Mounted on the wall above a water trough



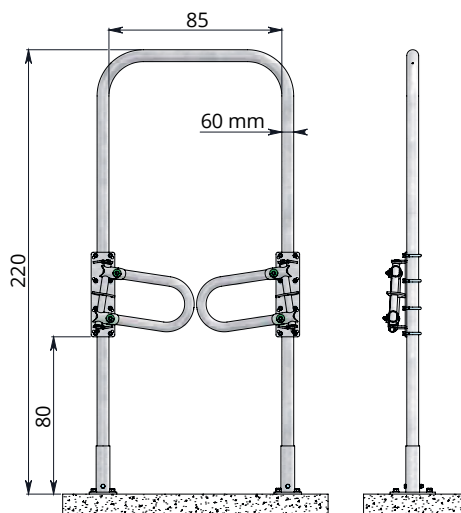
• Crossing over the feeding passage by means of two telescopic gates, with optional wheel set.



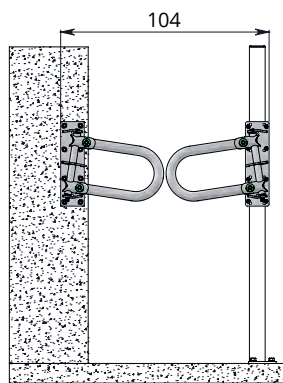
• Crossing of feeding passage closed:
The (optional) castor wheel is mounted on the inside.

11.11.220	Fittings for telescopic gates Anchor bolt M10 x 86 mm, hot dip galv., for fitting to concrete walls (12 per gate)
71.10.040	Hexagonal-head tap bolt M10 x 40 galv., for fitting on a HE- or I- Profile (12 per gate)
82.10.500	Self-locking nylon nut M10 galv., belonging to hexagon tap bolt M10 (12 per gate)
04.80.110	Threaded strap 78 x 110 mm, incl. nut, for fitting to support post 78mm (6 per gate)
04.57.250	Threaded strap 76 x 105 mm, incl. nut, for fitting to support post 76 mm (6 per gate)
02.90.990	Accessories for telescopic gates 400 - 600 cm Castor wheel for telescopic gate, including 2 strap clamps for mounting to 48/60 mm.
03.91.300	Angle brace set for gate, 48 and 60 mm.
11.11.220	Fittings for angle brace set Anchor bolt M10 x 86 mm, hot dip galv., for fitting to concrete walls (2 per brace set)
71.10.040	Hexagonal tap bolt M10 x 40 galv.; for fitting on a HE- or I- Profile (2 per brace set)
82.10.500	Self-locking nylon nut M10, belonging to hexagon tap bolt M10 (2 per brace set)

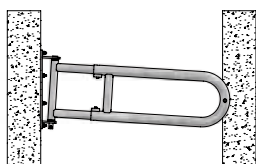
Fitting materials for connection of the gates and/or angle brace set to other columns (76mm - Ø200 mm or square columns) are available. Enquire about the possibilities.



One-way gate with Texas doors

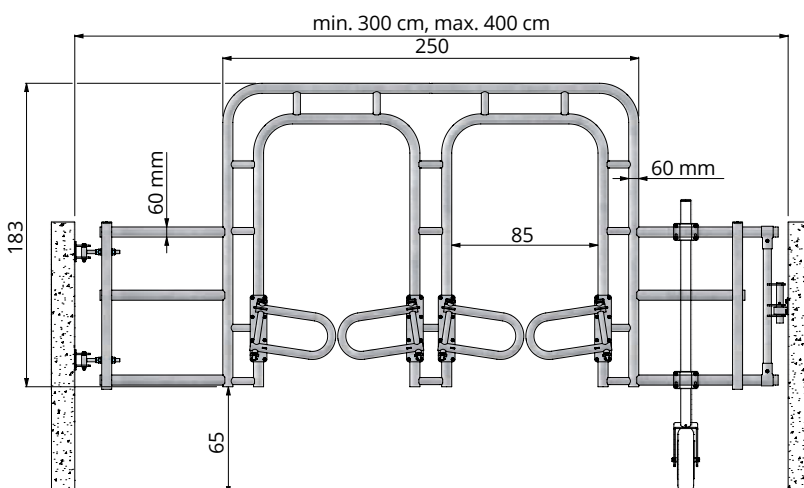
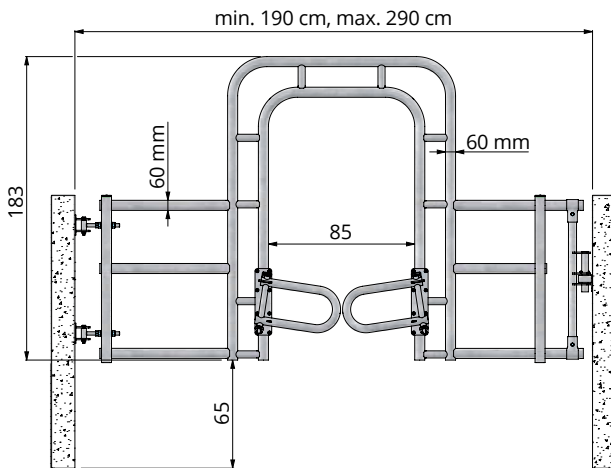


Pair of Texas doors



Self-closing gate

<p>03.19.500</p> <p>11.11.250</p> <p>11.10.300</p>	<p>Texas gate</p> <p>A Texas gate can be used for easily closing the separation passage or the exit of the milking robot. A Texas gate consists of a set of Texas doors, mounted to a robust 60 mm gate. This 60 mm gate is mounted at the bottom using two mounting feet, made of thick-walled 70 mm pipes onto a heavy base plate. The Texas gate can be placed onto both a concrete floor and a slatted floor.</p> <p>One-way gate with Texas doors</p> <p>Fittings</p> <p>Floor anchor M16 x 120 mm (4 per gate)</p> <p>T-bolt M16 x 280 mm with nut</p>
<p>03.19.400</p>	<p>Pair of Texas doors</p> <p>Pair of Texas doors</p>
<p>03.19.300</p> <p>03.19.350</p>	<p>Self-closing gate</p> <p>To be installed in the return lane of the parlour. Because of its inclined position the gate closes automatically.</p> <p>adjustable self-closing gate, 75-110 cm</p> <p>adjustable self-closing gate, 110-145 cm</p>



Pasture gate one-way gate

It may be necessary to work with one-way gates in a wider passage, allowing the passage to be cleared (e.g. pasture gates in this situation). Depending on the passage width and the amount of cow traffic, a single or double version can be selected.

The details:

- Standard fitted with the required Texas gates;
- Standard fitted with adjustable pivoting point;
- Standard fitted with universal locking point;
- Free passage (for manure robot): 65 cm.

The technology:

- Made from 60 mm tube;
- Fence height of side pieces: 95 cm;
- Single one-way gate, suitable for alley widths from 190 to 290 cm. Available on request, at an extra charge, with an alley width of up to 400 cm;
- Double one-way gate, suitable for alley widths from 300 to 400 cm;
- The width adjustment is carried through in the side pieces. The passage section is of a fixed size;
- Fence must be firmly attached to a concrete wall or post;
- Pasture one-way gates longer than 300 cm must be fitted with a support wheel (02.90.990) or a brace set (03.91.300).

Please note:

- Add various mounting materials, such as anchor bolts and, if necessary, support posts, etc.;
- Check the height of the concrete wall where the pivoting point is to be attached (at least 160 cm).

03.19.600

Pasture gate single, suitable for width from 190 to 290 cm **

03.19.700

Pasture gate double, suitable for width from 300 to 400 cm **

** Please specify the exact width when ordering

Accessories for one-way gates 300 - 400 cm

02.90.990

Castor wheel to partition barrier

03.91.300

Angle brace set

Accessories for angle brace set

11.11.220

Anchor bolt M10 x 86 mm (2 pc) for mounting to concrete walls.

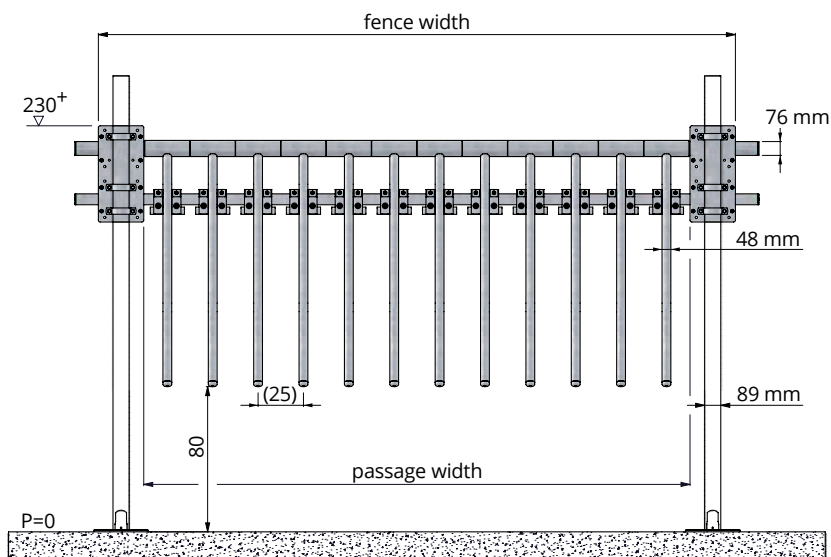
71.10.040

Hexagonal tap bolt M10 x 40 (2 pc) for mounting to HE or I posts.

82.10.500

Self-locking nylon nut M10 (2 pc), to go with hexagonal tap bolt M10 x 40.

Available are fastening materials for mounting the partition barrier and/or angle brace set to other columns (89 mm - Ø200 mm or square columns). Just ask us what we can do for you.



Topgate one-way gate

A Topgate is a one-way gate that comes in various widths. The Topgate can be used to control passageways of up to 5 m wide. The Topgate one-way gate works with vertical bars that can only hinge to one side. A passing cow pushes the bars forward. After the cow has passed, the (noise-muffled) bars fall back into the vertical position.

The details:

- Standard prepared for mounting to support columns or concrete wall;
- The Topgate fence consists of:
 - a number of bars (depending on the width);
 - the same number of forks (fitted with sound-absorbing elements);
 - a 76 mm hinge tube (supplied to length);
 - a square 60 stop bolt (supplied to length);
 - 2 solid mounting plates (for fixing to support posts or concrete wall);
- The Topgate basic is fitted with 4 bars. Passage width 100 cm, total gate width 150 cm;
- Each additional bar increases the passage and gate width by 25 cm.
- Build-in height approx. 230 cm;
- Free passage (for manure robot): 65 cm.

The technology:

- Vertical bars, made of 48 mm tube;
- The bars hinge around a 76 mm tube;
- The bars fall back into a vertical position due to their own weight;
- Dimensions of mounting plate: 530 x 250 x 10 mm.

Please note:

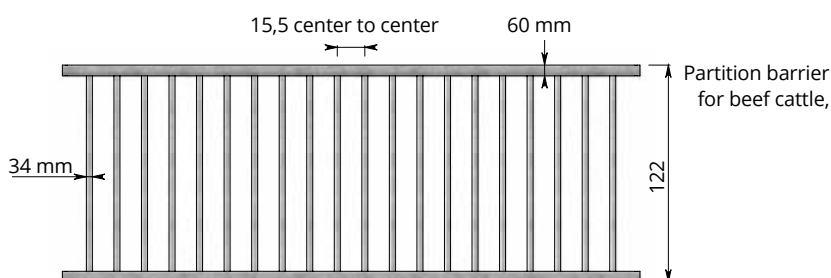
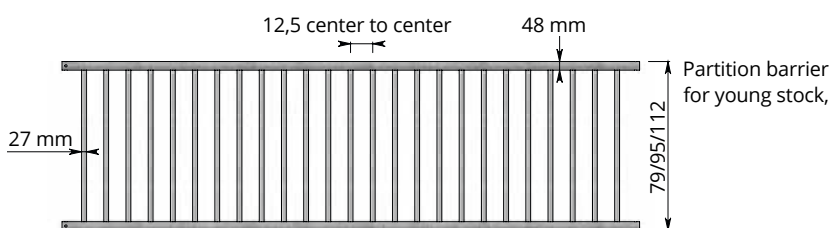
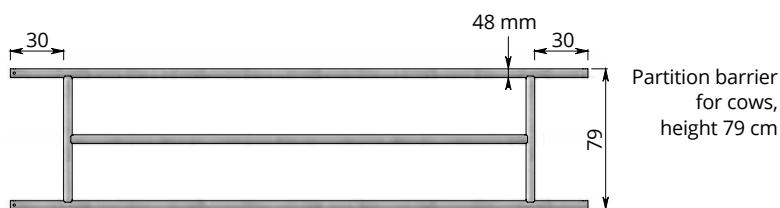
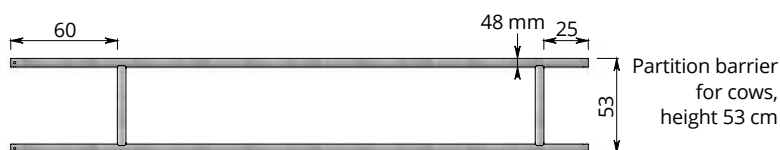
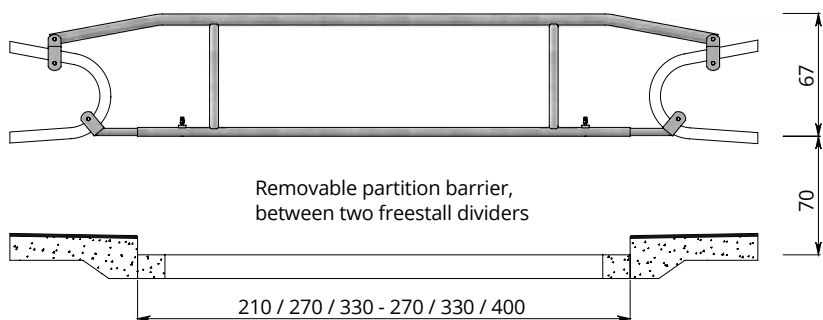
- Included in your order is a Topgate basic plus the required number of extra bars;
- After ordering, you will receive conformation in the form of a drawing with the exact dimensions for you to check;
- Add the required extra mounting materials, such as bolts and nuts, anchor bolts, bow brackets, mounting plates, support posts, etc.

- 03.20.600** Topgate basic (4 bars - passage width 100 cm)
- 03.20.650** Extra bar for Topgate one-way gate (25 cm);

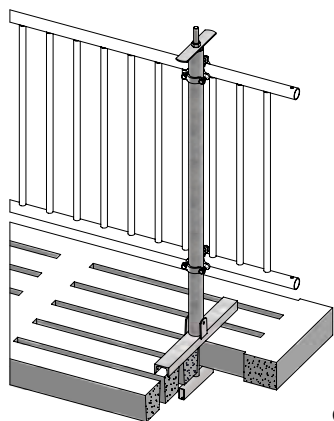
Accessories

- 03.20.670** Support post 89 mm with large base plate, 250 cm long, incl. bow brackets 89 mm (3 pc).
- 11.11.250** Floor anchor M16 x 120 mm (4 bolts for each support post)
- 11.10.300** T-bolt M16 (4 for each support post)
- 10.26.910** Rubber protective plate (on support post base plate)
- 03.90.350** Universal mounting plate (for mounting Topgate to concrete wall)
- 11.11.240** Floor anchor M12 x 106 mm

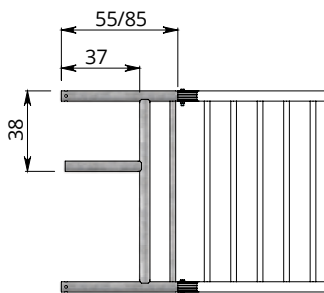
Topgate basic plus... bars	Passage width (cm)	Total fence width (cm)
0	100	150
1	125	175
2	150	200
3	175	225
4	200	250
5	225	275
6	250	300
7	275	325
8	300	350
9	325	375
10	350	400
11	375	425
12	400	450
13	425	475
14	450	500



<p>03.18.120 210 - 270 cm 03.18.150 270 - 330 cm 03.18.180 330 - 400 cm</p>	<p>Removable partition barrier between two freestall dividers</p> <p>Ideal for adaptable grouping. Easy to move. Can be used in alleys from 210 cm till 400 cm wide.</p>	
	<p>03.14.200 Length 215 cm 03.14.300 270 cm 03.14.400 325 cm 03.14.500 350 cm</p>	<p>Partition barrier for cows, height 53 cm</p> <p>Partition barrier to fence off the holding area. Can be shortened on one side by approx. 50 cm</p>
	<p>03.15.200 Length 215 cm 03.15.300 270 cm 03.15.400 325 cm 03.15.500 350 cm 03.15.600 400 cm</p>	<p>Partition barrier for cows, height 79 cm</p>
<p>03.12.200 Partition barrier young stock H= 79 L=215 cm 03.12.300 Partition barrier young stock H= 79 L=270 cm 03.12.350 Partition barrier young stock H= 79 L=300 cm 03.12.400 Partition barrier young stock H= 79 L=325 cm 03.12.500 Partition barrier young stock H= 79 L=350 cm 03.12.600 Partition barrier young stock H= 79 L=400 cm</p> <p>03.11.200 Partition barrier young stock H= 95 L=215 cm 03.11.300 Partition barrier young stock H= 95 L=270 cm 03.11.350 Partition barrier young stock H= 95 L=300 cm 03.11.400 Partition barrier young stock H= 95 L=325 cm 03.11.500 Partition barrier young stock H= 95 L=350 cm 03.11.600 Partition barrier young stock H= 95 L=400 cm</p> <p>03.13.200 Partition barrier young stock H= 112 L=215 cm 03.13.300 Partition barrier young stock H= 112 L=270 cm 03.13.350 Partition barrier young stock H= 112 L=300 cm 03.13.400 Partition barrier young stock H= 112 L=325 cm 03.13.500 Partition barrier young stock H= 112 L=350 cm 03.13.600 Partition barrier young stock H= 112 L=400 cm</p>	<p>Partition barrier for young stock</p>	
<p>03.31.300 Partition barrier beef cattle H= 122 L=270 cm 03.31.350 Partition barrier beef cattle H= 122 L=300 cm 03.31.400 Partition barrier beef cattle H= 122 L=325 cm 03.31.500 Partition barrier beef cattle H= 122 L=350 cm 03.31.600 Partition barrier beef cattle H= 122 L=400 cm</p>	<p>Partition barrier for beef cattle</p>	

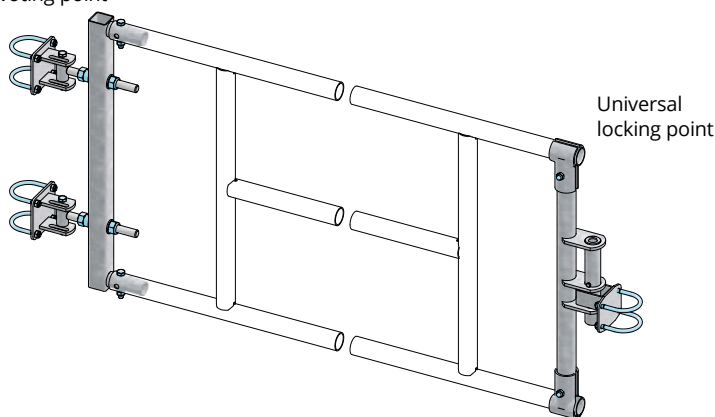


Grid post

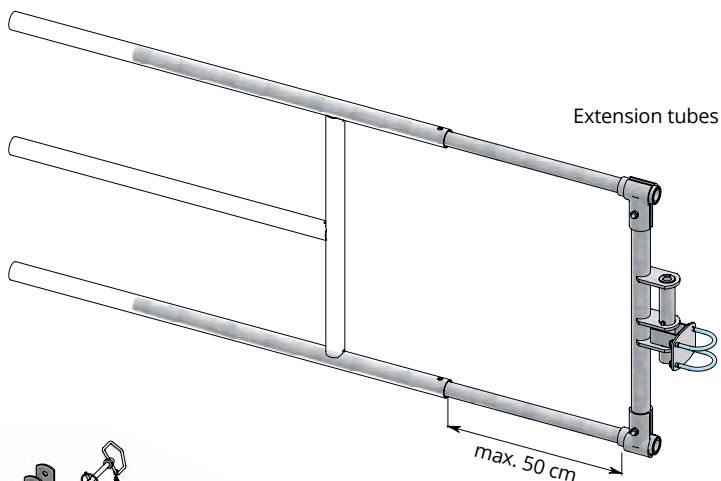


Component for drinking bowl
befitting
partition barriers

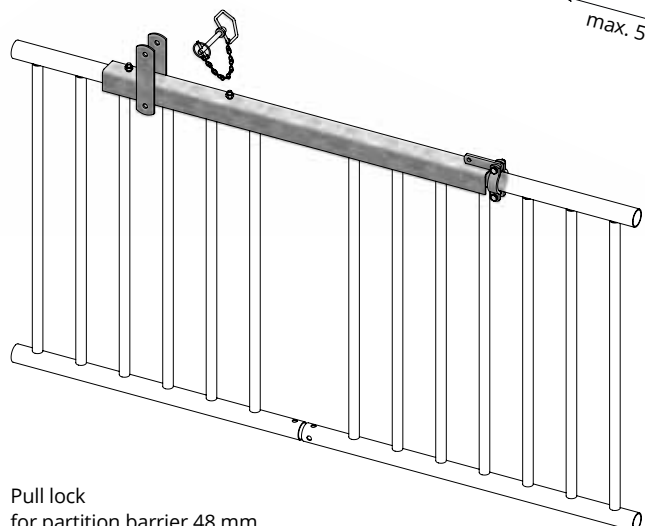
Adjustable
pivoting point



Universal
locking point

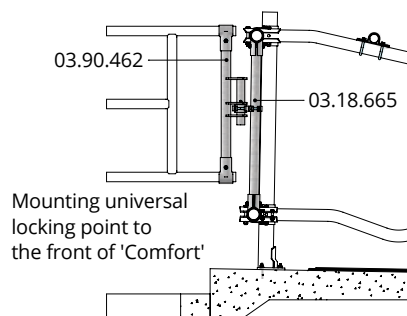
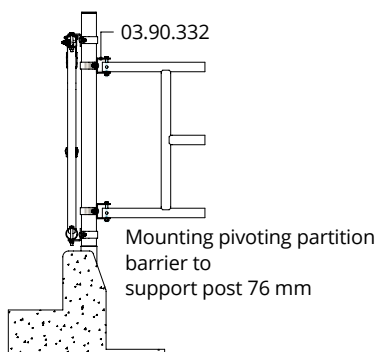
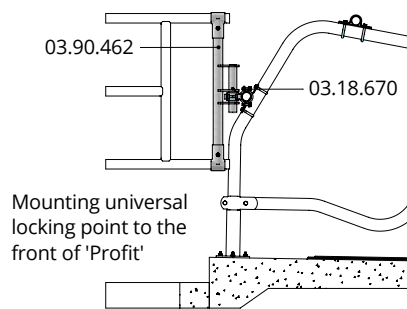
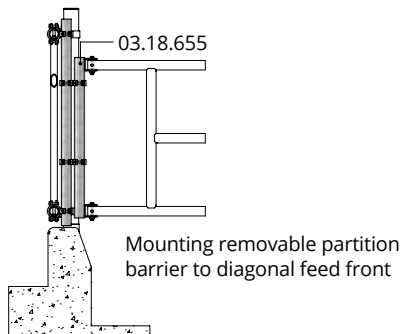
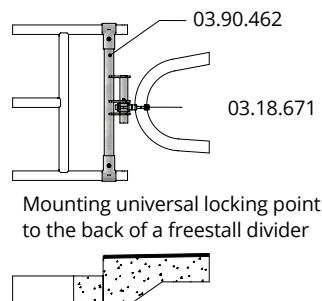
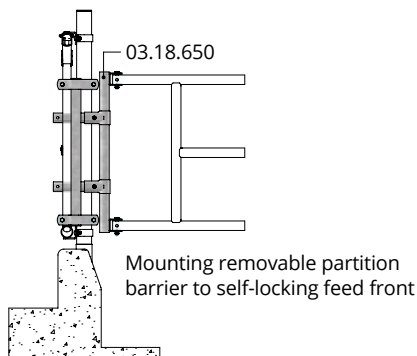
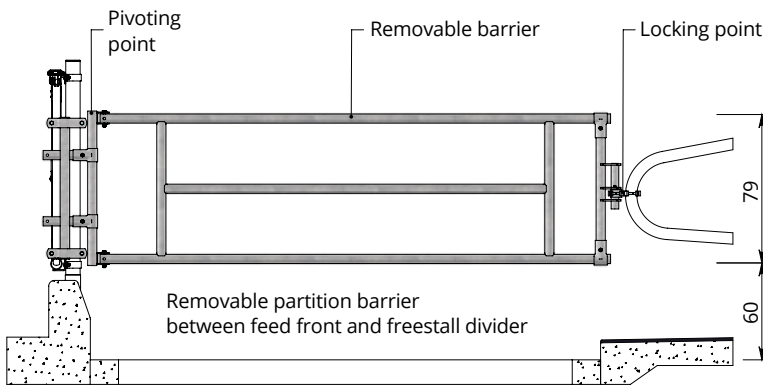


Extension tubes

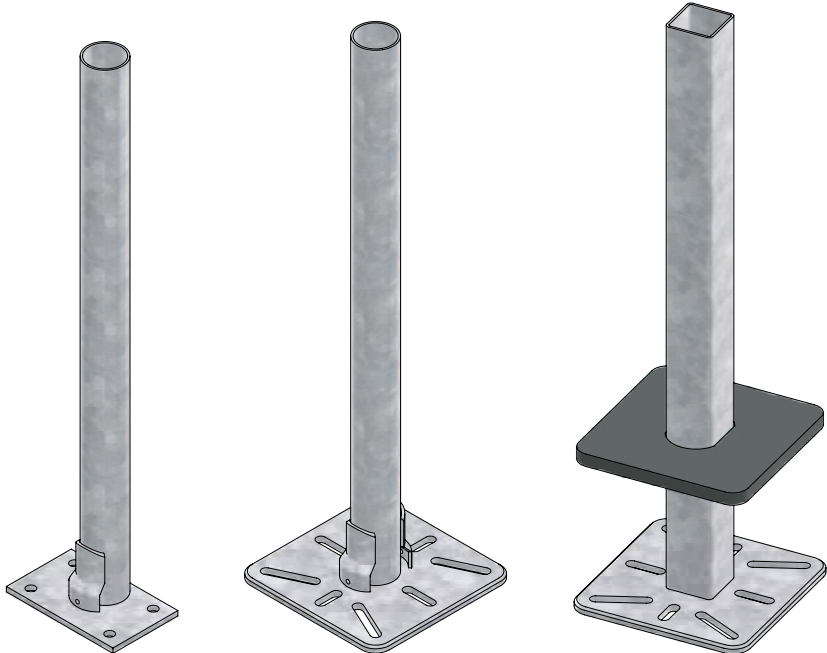


Pull lock
for partition barrier 48 mm

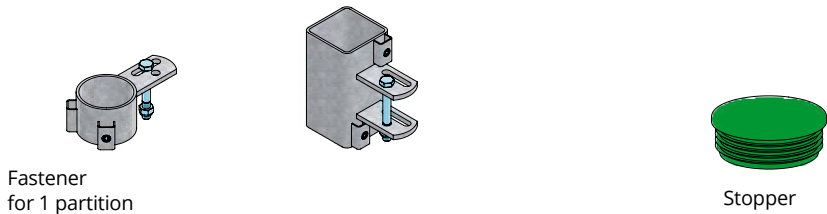
<p>03.90.500 04.08.020</p> <p>03.90.300 03.90.310</p>	<p>Grid post 60 mm x 140 cm</p> <p>Post with spindle, to be clamped to the concrete grid floor. With two grid posts the various partition barriers can be placed removable onto the grid floor. The barriers can be mounted to the grid posts with cross clamps 48 x 60 mm. It is also possible to make a partition barrier to your own specification by using 48 mm horizontal bars.</p>
	<p>Grid post 60 mm x 140 cm Cross clamp 48 x 60 mm</p> <p>Set of wall fasteners 60 mm x 180° Set of wall fasteners 60 mm x 90°</p>
<p>03.11.900 03.11.950</p> <p>03.13.900 03.13.950</p> <p>03.31.900</p>	<p>Component for drinking bowl</p> <p>For partition barrier 03.11, length 55 cm For partition barrier 03.11, length 85 cm</p> <p>For partition barrier 03.13, length 55 cm For partition barrier 03.13, length 85 cm</p> <p>For partition barrier 03.31, length 55 cm</p>
	<p>Adjustable pivoting point</p> <p>An easy solution to mount a partition barrier in a horizontal position. To be mounted to support post 76 mm, threaded straps included.</p> <p>Barrier height</p> <p>03.90.250 79 cm 03.90.255 95 cm 03.90.260 112 cm 03.90.270 122 cm</p>
	<p>Universal locking point</p> <p>Sturdy lock, specially for hinged partitions that are often operated. To be mounted to support post 76 mm, threaded straps included.</p> <p>Barrier height</p> <p>03.90.450 53 cm 03.90.460 79 cm 03.90.465 95 cm 03.90.470 112 cm 03.90.480 122 cm</p>
	<p>Extension tubes</p> <p>An easy way to elongate a standard barrier gate for cows (item numbers 03.14 and 03.15) up to 0.50 meter. A pair of extension tubes and the universal locking point will form the telescopic part of the barrier gate.</p> <p>03.91.400 Pair of extension tubes R38 mm, L=150 cm</p> <p>03.90.450 Universal locking point, barrier height 53 cm 03.90.460 Universal locking point, barrier height 79 cm</p>
<p>03.91.100 03.91.100</p>	<p>Pull lock for partition barriers</p> <p>For partition barriers, placed in line For partition barriers, placed overlapped</p>



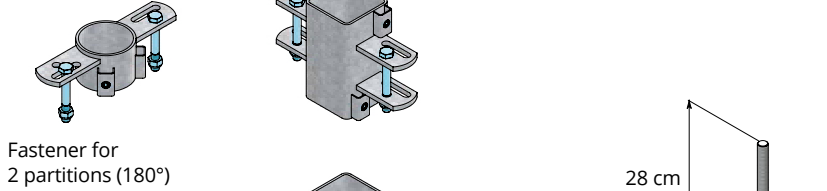
	<p>Removable partition barrier between feed front and freestall divider</p> <p>The base element for this partition barrier is the partition barrier for cows model 03.15. By making this barrier pivoting - pivoting point on the feed front - regrouping of the animals can be easily done. We advise to use our universal locking point on the freestall divider. For more convenience a gateway can be installed.</p>
<p>03.18.650</p> <p>03.18.850</p>	<p>Mounting removable partition barrier to self-locking feed front and safety feed front</p> <p>Pivoting point, complete, mounted to self-locking feed front (model 24.61, 24.62, 24.63 and 24.66) and safety feed front (model 22.70 and 22.72)</p> <p>Pivoting point, complete, mounted to safety feed front (model 24.70 and 24.72)</p>
<p>03.90.462</p> <p>03.18.671</p>	<p>Universal locking point to the back of freestall dividers</p> <p>Universal locking point for barrier height 79 cm Fastener for vertical tubing 48 mm or 60 mm</p>
<p>03.18.655</p>	<p>Mounting removable partition barrier to diagonal feed front</p> <p>Pivoting point, complete, mounted to diagonal feed front</p>
<p>03.90.462</p> <p>03.18.670</p>	<p>Universal locking point to the front of 'Profit'</p> <p>Universal locking point for barrier height 79 cm Fastener for horizontal tubing 48 mm or 60 mm</p>
<p>03.90.332</p>	<p>Mounting pivoting partition barrier to support post 76 mm</p> <p>Set of universal fasteners, to 76 mm support post</p>
<p>03.90.462</p> <p>03.18.665</p>	<p>Universal locking point to the front of 'Comfort'</p> <p>Universal locking point for barrier height 79 cm Fastener for front Comfort freestall divider</p>



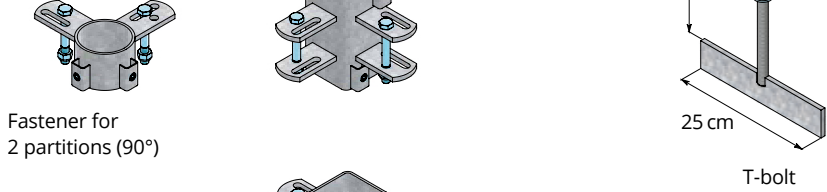
Floor-mounted support post
Floor-mounted support post, 76 mm, with large base plate
Floor-mounted support post, \varnothing 80 mm, with large base plate and rubber cover for base plate



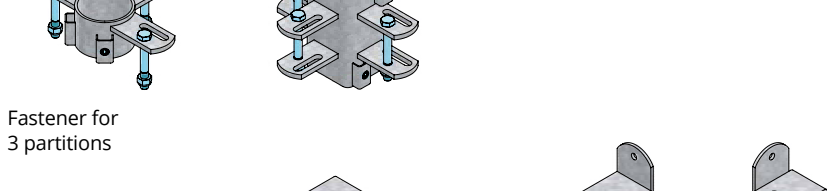
Fastener for 1 partition
Stopper



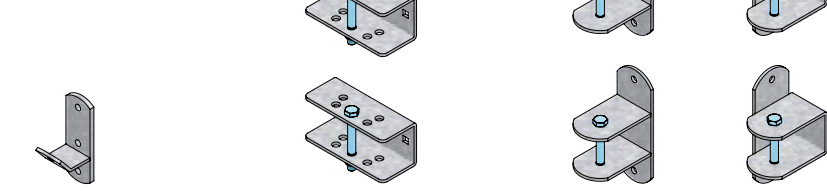
Fastener for 2 partitions (180°)
T-bolt



Fastener for 2 partitions (90°)
T-bolt

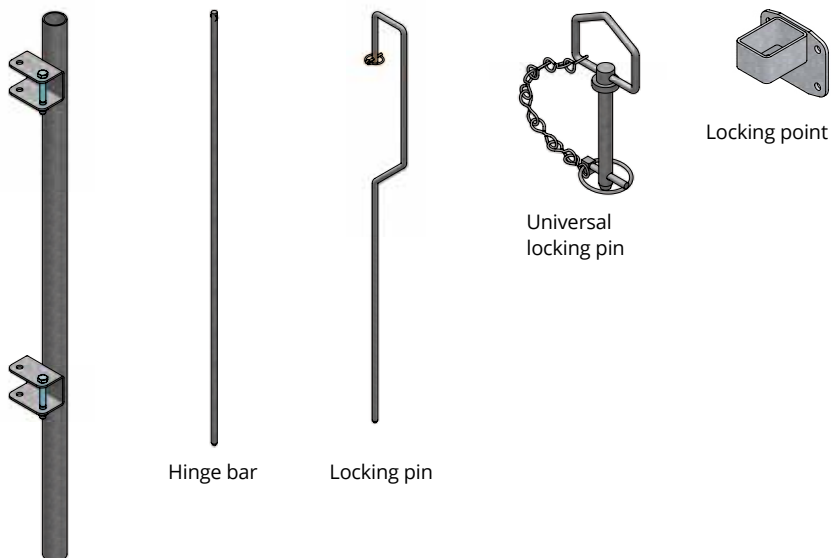


Fastener for 3 partitions
T-bolt



Wall hook
Universal fasteners
Set of wall fasteners 180°
Set of wall fasteners 90°

10.21.140 10.26.100 10.26.120 10.26.130 10.26.145 10.26.160 10.26.170 10.26.180 10.81.160	Floor-mounted support post Size 60 mm x 140 cm 76 mm x 100 cm 76 mm x 120 cm 76 mm x 130 cm 76 mm x 145 cm 76 mm x 160 cm 76 mm x 170 cm 76 mm x 180 cm \varnothing 80 x 160 cm
10.26.360 10.81.360 10.26.910 11.10.300 11.10.310	Floor-mounted support post with large base plate Size 76 mm x 160 cm \varnothing 80 x 160 cm Fittings Rubber cover for base plate T-bolt Adapting device, 9 cm, for T-bolt
11.06.150 11.06.200 11.06.250 11.06.300 11.06.800	Stopper Protects the inside of the tubes against moisture and dirt. Size 48 mm 60 mm 76 mm 89 mm \varnothing 80 mm
11.10.300	T-bolt T-bolt M16 with nut, for mounting floor-mounted support posts to a grid floor. Can also be used as concrete anchor. Size 28 x 25 cm
03.90.610 03.90.620 03.90.625 03.90.630 03.90.710 03.90.720 03.90.725 03.90.730	Set of fasteners Universal fasteners, for mounting various partitions to 76 mm and \varnothing 80 mm support posts. Suitable for partition barriers and hinged partitions. Supplied in pairs and with bolts. For 1 partition barrier 76 mm For 2 partition barriers (180°) 76 mm For 2 partition barriers (90°) 76 mm For 3 partition barriers 76 mm For 1 partition barrier \varnothing 80 mm For 2 partition barriers (180°) \varnothing 80 mm For 2 partition barriers (90°) \varnothing 80 mm For 3 partition barriers \varnothing 80 mm
03.90.320	Wall hook For hanging a gate to a wall
03.90.330 03.90.331 03.90.332 03.90.333	Set of universal fasteners Fasteners for universal fastening of partition barriers. Widely applicable. Can also be used as hinge or locking point. Possibilities: Wall Support post 60 mm Support post 76 mm Support post 89 mm
03.90.300 03.90.310	Set of wall fasteners For mounting partition barrier to a wall. Can be used as hinge or locking point. Set of wall fasteners 60 mm x 180° Set of wall fasteners 60 mm x 90°



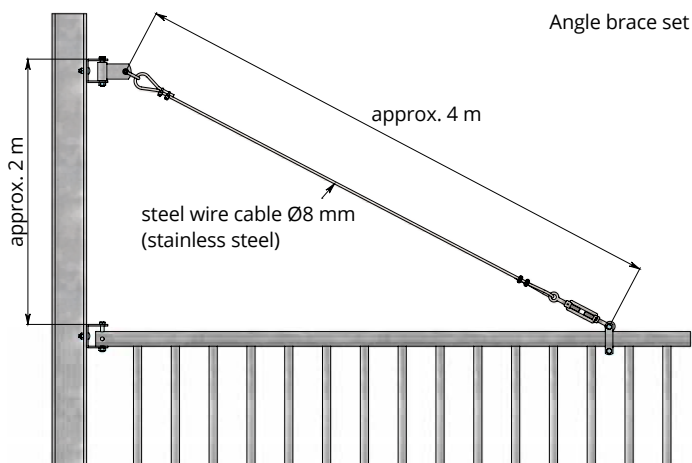
Support post

Hinge bar

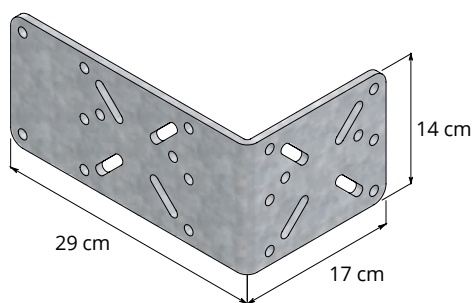
Locking pin

Universal locking pin

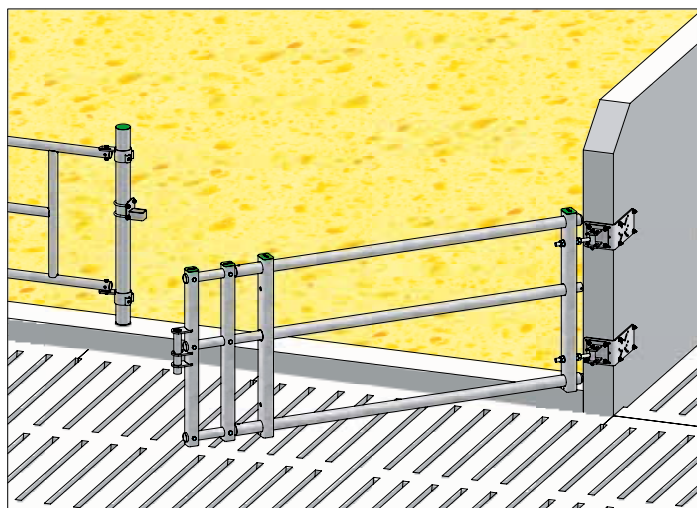
Locking point



Angle brace set



Universal mounting plate



<p>03.90.110 03.90.100 03.90.130 03.90.120</p>	<p>Support post</p> <p>All-purpose support post to connect partition barriers to different barn equipment with use of our standard clamps.</p> <p>Support post for partition barrier Height 53 cm 79 cm 95 cm 112 cm</p>
	<p>02.90.010 02.90.015</p> <p>Hinge bar</p> <p>For mounting parts that are used as pin joint. Hinge bar 100 cm Hinge bar 125 cm</p>
	<p>03.90.400 03.90.410</p> <p>Locking pin</p> <p>To be used for locking points. Locking pin 100 cm Locking pin 125 cm</p>
	<p>03.90.440</p> <p>Universal locking pin</p> <p>Can be used as alternative for locking pin (2 per gate)</p>
<p>03.90.452</p>	<p>Locking point</p>
<p>03.91.300</p>	<p>Angle brace set</p> <p>Angle brace set for barrier gates, including third pivot point, steel wire cable and turnbuckle</p> <p>Angle brace set for barrier gates, made of tubes 48 mm or 60 mm</p>
<p>03.90.350</p>	<p>Universal mounting plate</p> <p>Mounting of barriers at the end panel of an end wall is often difficult concerning the thickness of the concrete wall. Spinder has developed a universal mounting plate which fits on all hinge and locking points. Also suitable for mounting 60 mm tubes on wooden stud.</p> <p>Major characteristics:</p> <ul style="list-style-type: none"> • Suitable for all hinge and locking points; • Suitable for mounting clips 48, 60, 76 mm and threaded straps 48, 60, 76, 80 mm; • It prevents damage on concrete walls; • Solid, because of steel plate of 8 mm thickness; <p>Universal mounting plate</p>



“Choose Spinder, choose
100% Dutch quality”



spinder
DAIRY HOUSING CONCEPTS

Zeppelinlaan 3
9207 JG Drachten
The Netherlands

☎ 00 31 (0)512 - 237800
E-mail: sales@spinder.nl
Website: spinderdhc.com

